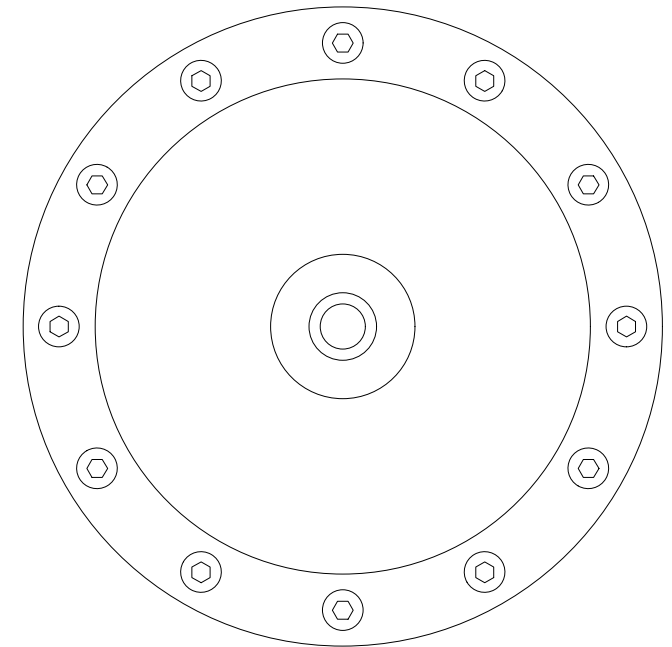


BRASS 20mm HOSE CONNECTION  
FITTED AT EACH END OF UNIT.

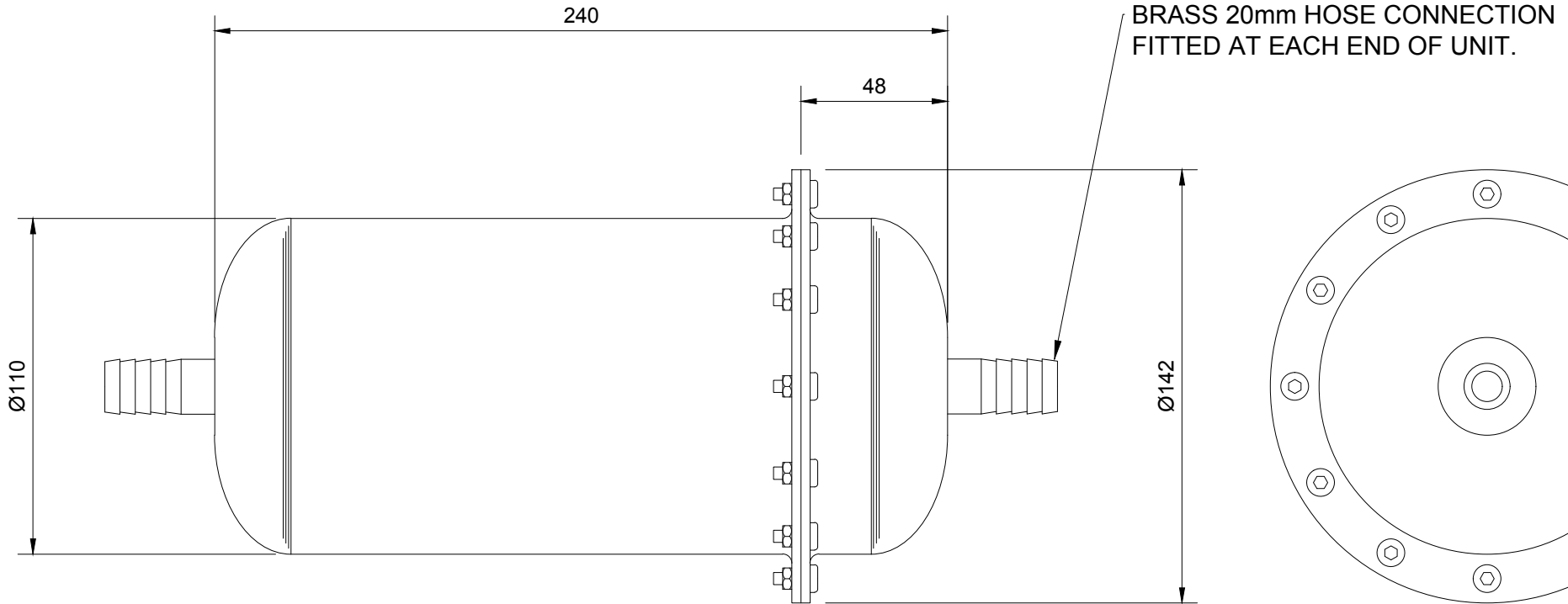


REV	DESCRIPTION	DATE	SIG	REV	DESCRIPTION	DATE	SIG	REV	DESCRIPTION	DATE	SIG	CLIENT	TITLE	DRG.	REV
A	For Approval	26.04.19											MARSH ACOUSTIC / VIBRATION REDUCER UNIT (A.V.R.1) (GENERAL ARRANGEMENT)	A.V.R.1 (SHEET 1)	A
<p>THIS DRAWING IS THE PROPERTY OF MARSH INDUSTRIES LTD. AND MUST NOT BE REPRODUCED OR CIRCULATED FOR ANY PURPOSE WHATSOEVER WITHOUT FIRST OBTAINING WRITTEN CONSENT FROM MARSH INDUSTRIES LTD.</p> <p>ORIG. CHKD APPD SCALE DATE N.T.S. 26.04.2019</p> <p>3 RD ANGLE PROJECTION DO NOT SCALE IF IN DOUBT ASK</p>															



**MARSH**  
INDUSTRIES LTD.

UNITS 9-13 ADDINGTON PARK IND. EST.  
LITTLE ADDINGTON, KETTERING,  
NORTHAMPTONSHIRE, NN14 4AS.




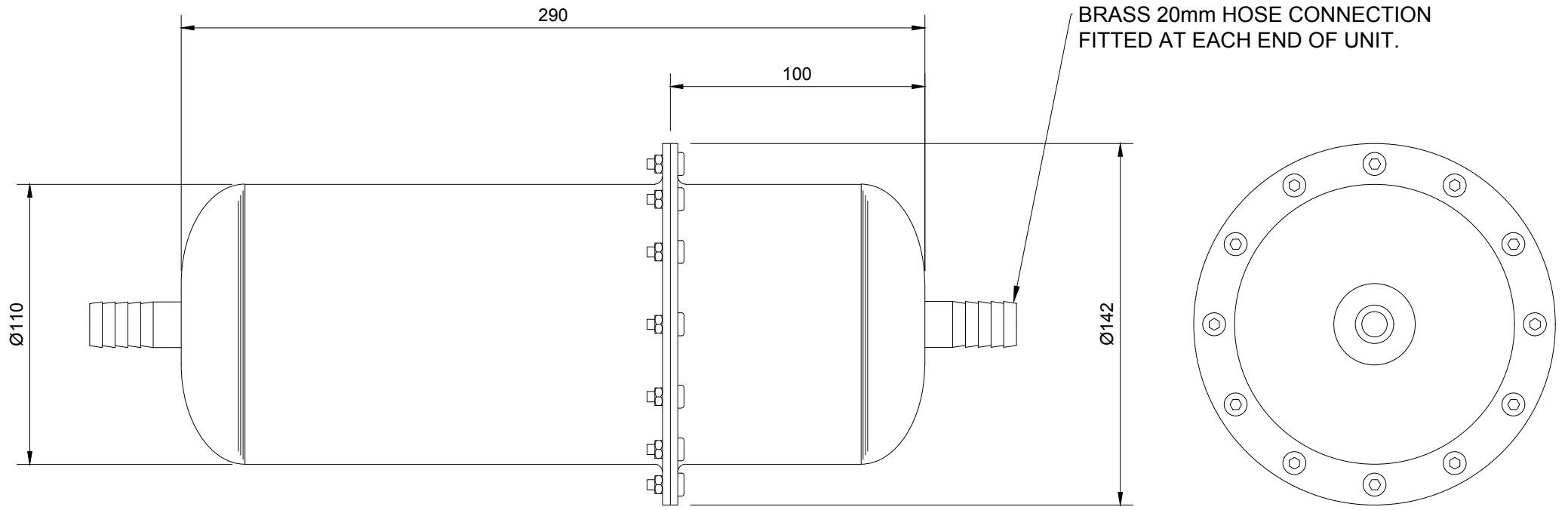
REV	DESCRIPTION	DATE	SIG	REV	DESCRIPTION	DATE	SIG
A	For Approval	19.03.19					

THIS DRAWING IS THE PROPERTY OF MARSH INDUSTRIES LTD. AND MUST NOT BE REPRODUCED OR CIRCULATED FOR ANY PURPOSE WHATSOEVER WITHOUT FIRST OBTAINING WRITTEN CONSENT FROM MARSH INDUSTRIES LTD.			CLIENT
ORIG.	CHKD	APPD	
SCALE	N.T.S.	DATE	19.03.2019
3 RD ANGLE PROJECTION		DO NOT SCALE IF IN DOUBT ASK	

TITLE	MARSH ACOUSTIC / VIBRATION REDUCER UNIT (A.V.R.1) (GENERAL ARRANGEMENT)	 UNITS 9-13 ADDINGTON PARK IND. EST. LITTLE ADDINGTON, KETTERING, NORTHAMPTONSHIRE, NN14 4AS.	<b>MARSH</b> INDUSTRIES LTD.  <small>UNITS 9-13 ADDINGTON PARK IND. EST. LITTLE ADDINGTON, KETTERING, NORTHAMPTONSHIRE, NN14 4AS.</small>
DRG.	A.V.R.1 (SHEET 1)	REV	A



REV	DESCRIPTION	DATE	SIG	REV	DESCRIPTION	DATE	SIG
A	For Approval	05.04.19					

THIS DRAWING IS THE PROPERTY OF MARSH INDUSTRIES LTD. AND MUST NOT BE REPRODUCED OR CIRCULATED FOR ANY PURPOSE WHATSOEVER WITHOUT FIRST OBTAINING WRITTEN CONSENT FROM MARSH INDUSTRIES LTD.			
ORIG.	CHKD	APPD	
	SCALE	DATE	
	N.T.S.	05.04.2019	
3 RD ANGLE PROJECTION		DO NOT SCALE IF IN DOUBT ASK	

CLIENT

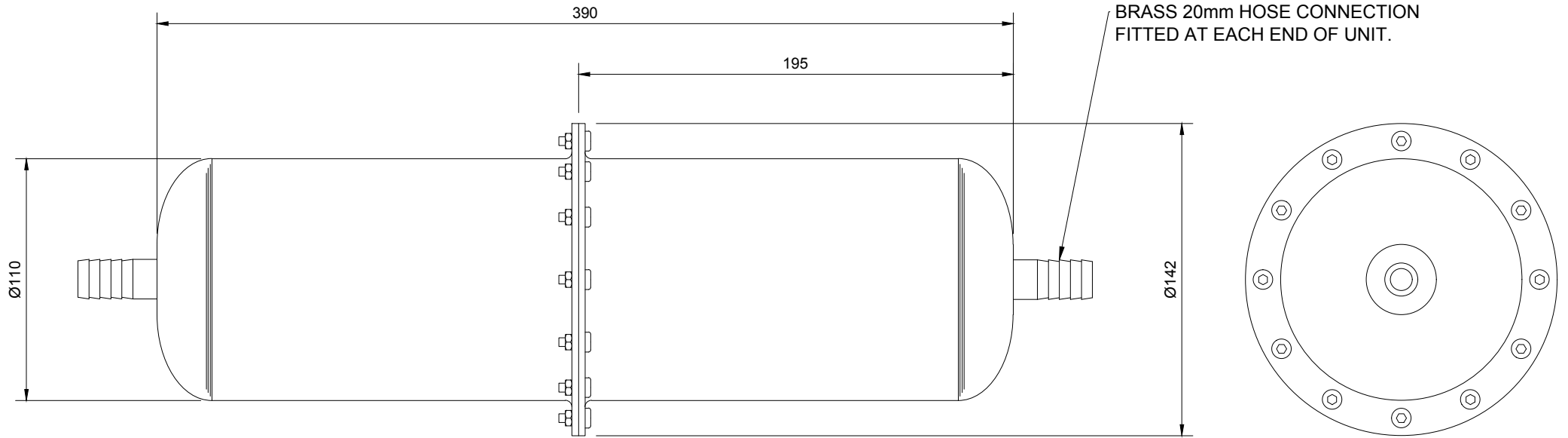
TITLE

MARSH  
ACOUSTIC / VIBRATION  
REDUCER UNIT (A.V.R.3)  
(GENERAL ARRANGEMENT)



MARSH  
INDUSTRIES LTD.  
UNITS 9-13 ADDINGTON PARK IND. EST.  
LITTLE ADDINGTON, KETTERING,  
NORTHAMPTONSHIRE, NN14 4AS.

DRG: A.V.R.3 (SHEET 1) REV: A



REV	DESCRIPTION	DATE	SIG	REV	DESCRIPTION	DATE	SIG
A	For Approval	05.04.19					

REV	DESCRIPTION	DATE	SIG
A	For Approval	05.04.19	

THIS DRAWING IS THE PROPERTY OF  
MARSH INDUSTRIES LTD. AND MUST NOT BE  
REPRODUCED OR CIRCULATED FOR ANY PURPOSE  
WHATSOEVER WITHOUT FIRST OBTAINING WRITTEN  
CONSENT FROM MARSH INDUSTRIES LTD.

ORIG.	CHKD	APPD
	SCALE	DATE
	N.T.S.	05.04.2019

3 RD ANGLE PROJECTION DO NOT SCALE IF IN DOUBT ASK

CLIENT

TITLE  
MARSH  
ACOUSTIC / VIBRATION  
REDUCER UNIT (A.V.R.2)  
(GENERAL ARRANGEMENT)



MARSH  
INDUSTRIES LTD.  
UNITS 9-13 ADDINGTON PARK IND. EST.  
LITTLE ADDINGTON, KETTERING,  
NORTHAMPTONSHIRE, NN14 4AS.  
DRG: A.V.R.2 (SHEET 1) REV: A